

WL3100

8W Deco Torch Wall Light

Description

Indoor decorative wall light;
Suitable for interior walls;
With a comfortable & diffused light output;

Finish

Black
White

Material

Aluminium
Opal Diffuser



TECHNICAL CHARACTERISTICS

Light source

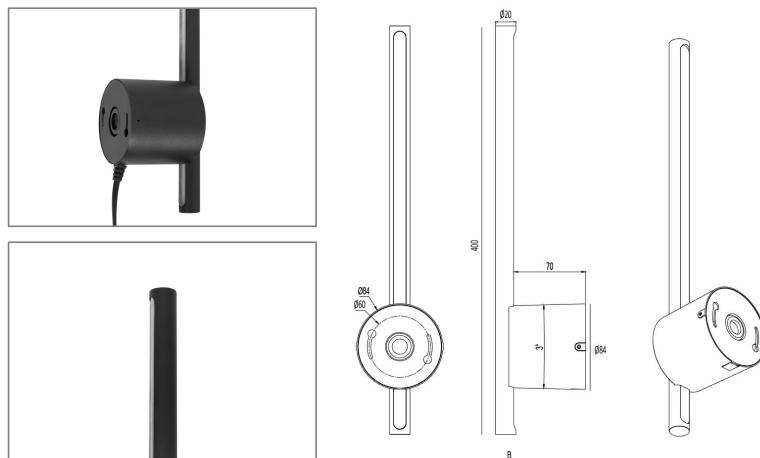
Light source: 40pcs Osram 2835 Chip
Output (W): 7.8W (260mA 30V)
Total power consumption (W): 8W
Color temperature: 2700K
CRI: ≥ 90
IK: 08
Real Lumen: 500
Lm/Real W: 63
Life Time: 50.000h L70
MacAdam steps: 3
UGR: 12

GEAR

This item incl. gear
Actec triac dimmable driver
MINID26012NT

Luminaire

IP21 for indoor use only
crossing: No
Warranty: 5 Years



The photograph may not match the reference exactly. Please read the product description to identify the finish.